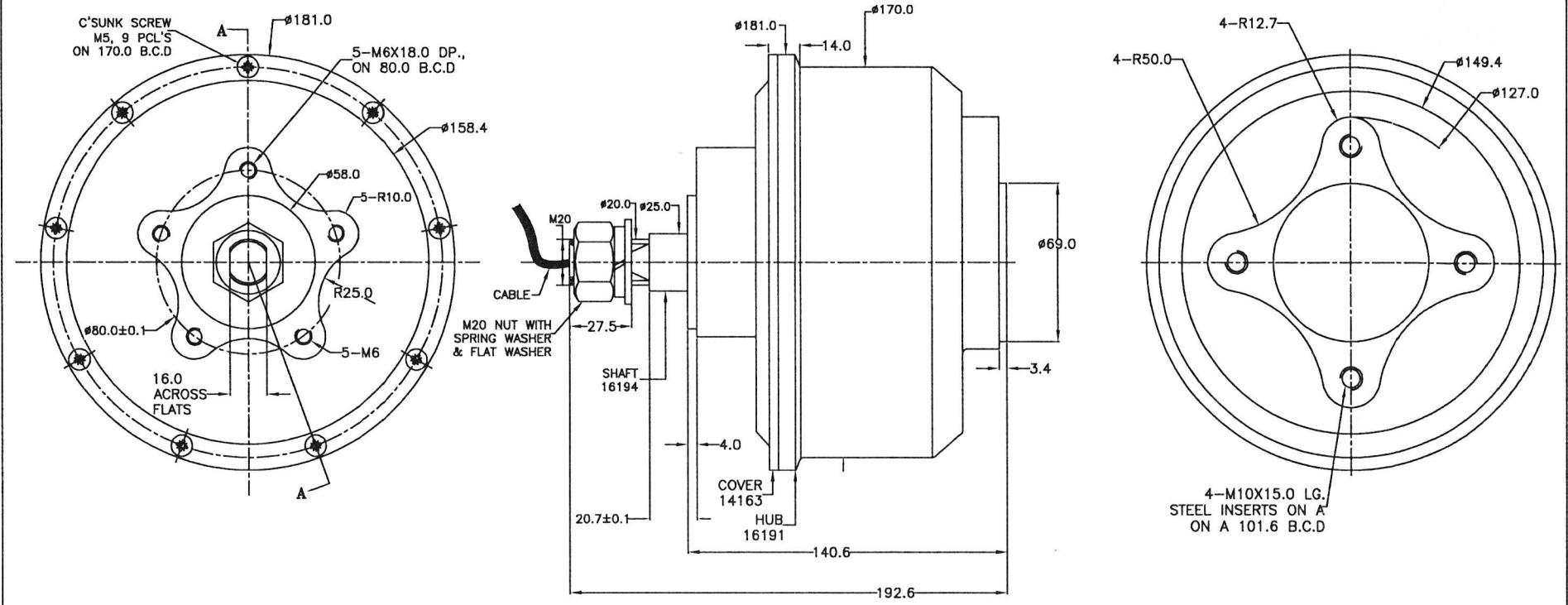


NOTE: THIS IS CONFIDENTIAL PROPERTY OF BMC.IT IS NOT TO BE COPIED OR DUPLICATED IN ANY MANNER AND SHALL NOT BE SUBMITTED TO OUTSIDE PARTIES WITHOUT OUR WRITTEN CONSENT.

161900	REV.	DATE	BY	ECN	REMARKS	CK



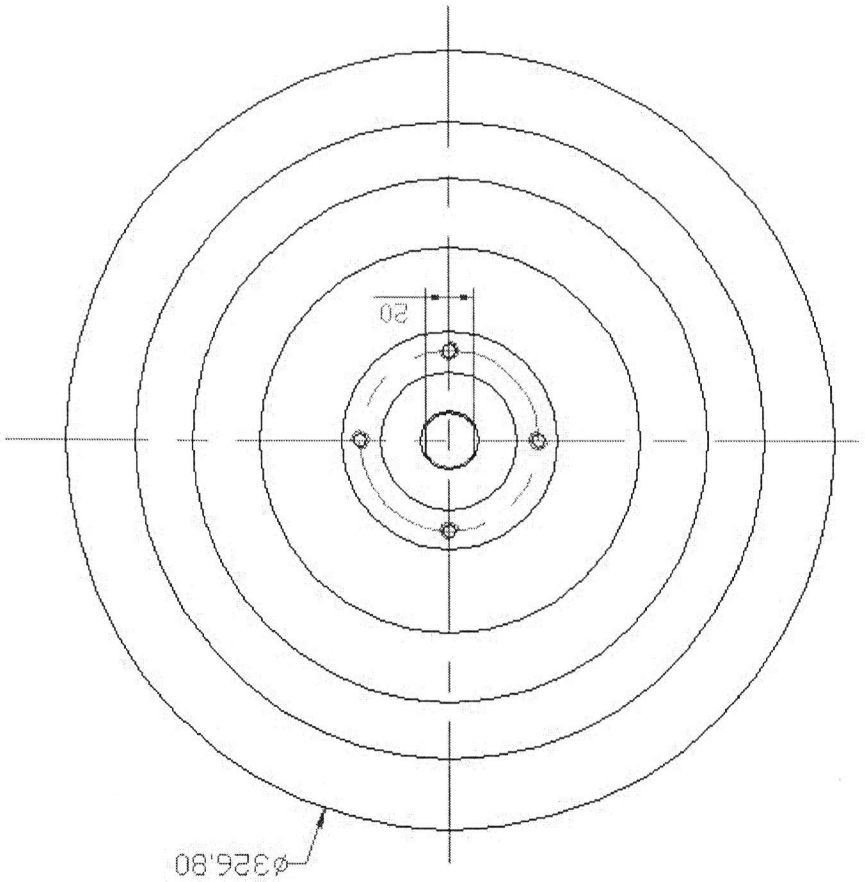
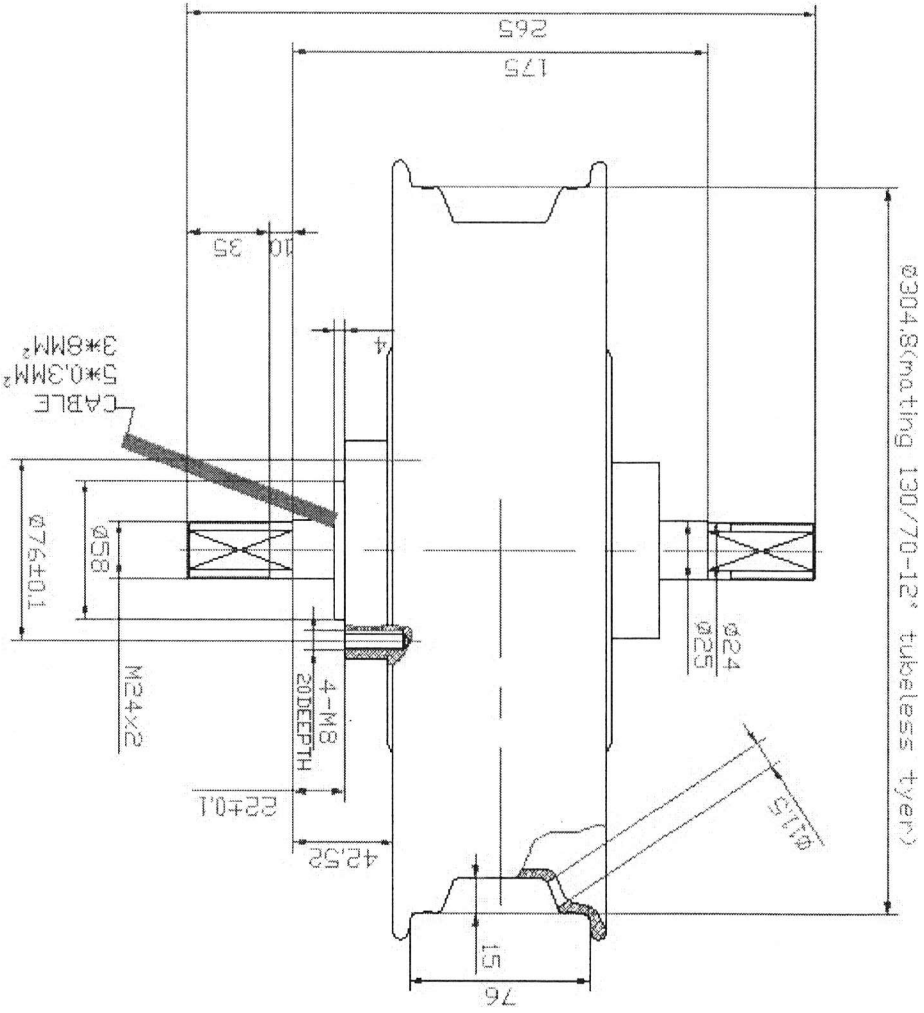
SECTION A-A

NOTE:
1. ALL DIMENSIONS ARE IN MM.

TOLERANCES UNLESS NOTED .0 ±.25 .00 ±.13 ANGLE ± 2' (X) REF. DIM.	/ ANGULARITY ○ CIRCULAR RUNOUT ⊙ CONCENTRICITY ⊥ PERPENDICULARITY (X) REFERENCE DIM. ∅ DIAMETER	DRAWN BY: SHWETA BMC BRUSHLESS MOTOR CORP. 20447 NORDHOFF ST. CHATSWORTH, CA 91311 USA.
		CHECKED BY: CRV MOTOR OUTLINE ASSLY
MATERIAL	DATE: 15 DEC 2011	DWG. NO.: 16190C
		REV.



BRAKER DISC Ø220XØ58X3.5



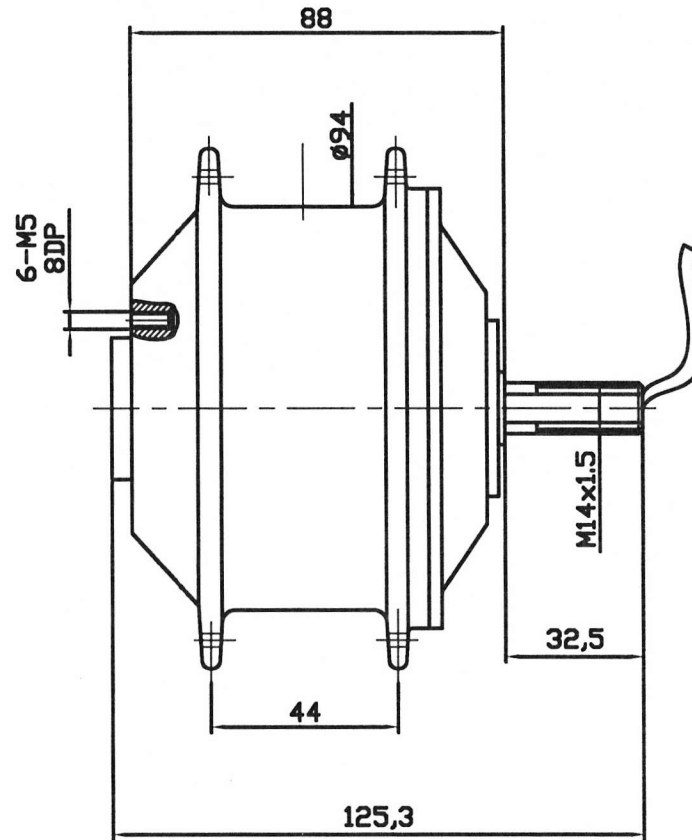
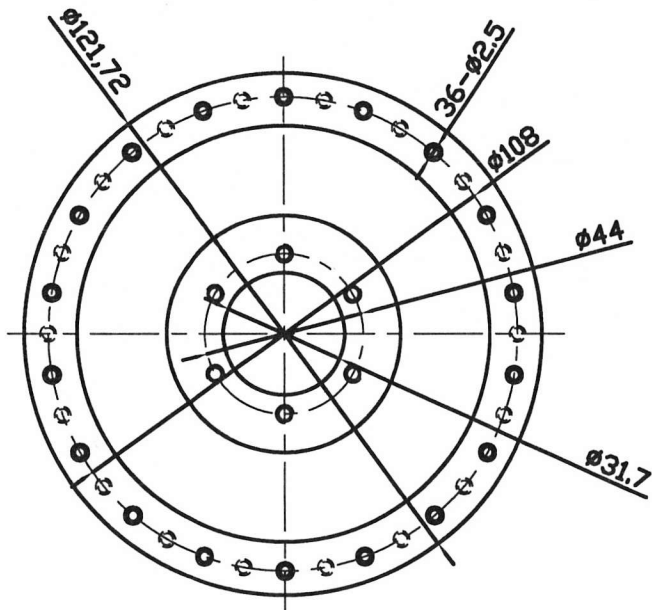
APPROVED BY/DATE	DESIGNED BY/DATE	CHECKED BY/DATE	DRAWN BY/DATE
MATERIAL	1. PERMANENTLY	2. COMPENSATION	3. CIRCULAR RUNOUT
CONSTRUCTION	4. UNLESS NOTED	5. TOLERANCES	6. UNLESS NOTED
ANGLE #2	7. 4X3	8. 4X3	9. 4X3
1001 5413	10. 4X3	11. 4X3	12. 4X3
Ø DIMETER	(X) REFERENCE DIM	(X) REFERENCE DIM	(X) REFERENCE DIM
15140C	Motor Outline w/o brake	Motor Outline w/o brake	Motor Outline w/o brake
-			
A			

BMC

NOTE: THIS IS CONFIDENTIAL PROPERTY OF BMC.IT IS NOT TO BE COPIED OR DUPLICATED IN ANY MANNER AND SHALL NOT BE SUBMITTED TO OUTSIDE PARTIES WITHOUT OUR WRITTEN CONSENT.

15130C

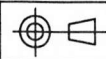
REV.	DATE	BY	ECN	REMARKS	CK



NOTE:

- 1 COLOUR : SILVER PAINTING
- 2 ROTATION: CW FROM LEAD WIRES END
3. ALL DIMENSIONS ARE IN MM.

TOLERANCES UNLESS NOTED .0 ±.25 .00 ±.13 ANGLE ± 2' (X) REF. DIM.	◊ ANGULARITY / CIRCULAR RUNOUT ○ CONCENTRICITY ⊥ PERPENDICULARITY (X) REFERENCE DIM. ⌀ DIAMETER	DRAWN BY: SHWETA CHECKED BY: CRV	BMC BRUSHLESS MOTOR CORP. 20447 NORDHOFF ST. CHATSWORTH, CA 91311 USA.	
		MATERIAL	DATE: 22 MAR 2010	DWG. NO.: 15130C

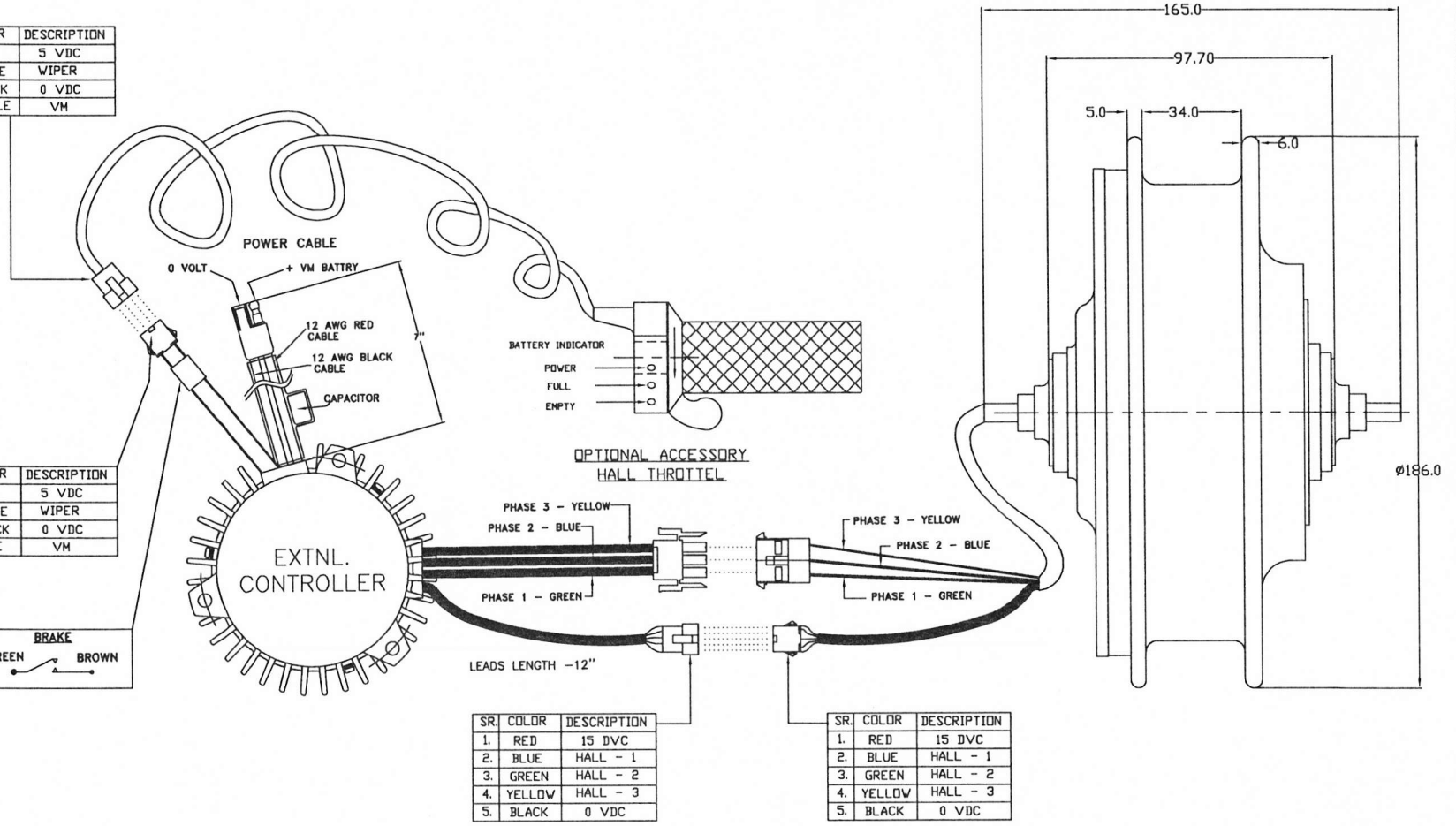
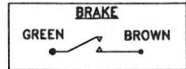


NOTE: THIS IS CONFIDENTIAL PROPERTY OF BMC . IT IS NOT TO BE COPIED OR DUPLICATED IN ANY MANNER AND SHALL NOT BE SUBMITTED TO OUTSIDE PARTIES WITHOUT OUR WRITTEN CONSENT.

REV.	DATE	BY	ECN	REMARKS	CK

SR.	COLOR	DESCRIPTION
1.	RED	5 VDC
2.	WHITE	WIPER
3.	BLACK	0 VDC
4.	PURPLE	VM

SR.	COLOR	DESCRIPTION
1.	RED	5 VDC
2.	WHITE	WIPER
3.	BLACK	0 VDC
4.	BLUE	VM



SR.	COLOR	DESCRIPTION
1.	RED	15 DVC
2.	BLUE	HALL - 1
3.	GREEN	HALL - 2
4.	YELLOW	HALL - 3
5.	BLACK	0 VDC

SR.	COLOR	DESCRIPTION
1.	RED	15 DVC
2.	BLUE	HALL - 1
3.	GREEN	HALL - 2
4.	YELLOW	HALL - 3
5.	BLACK	0 VDC

CAUTION

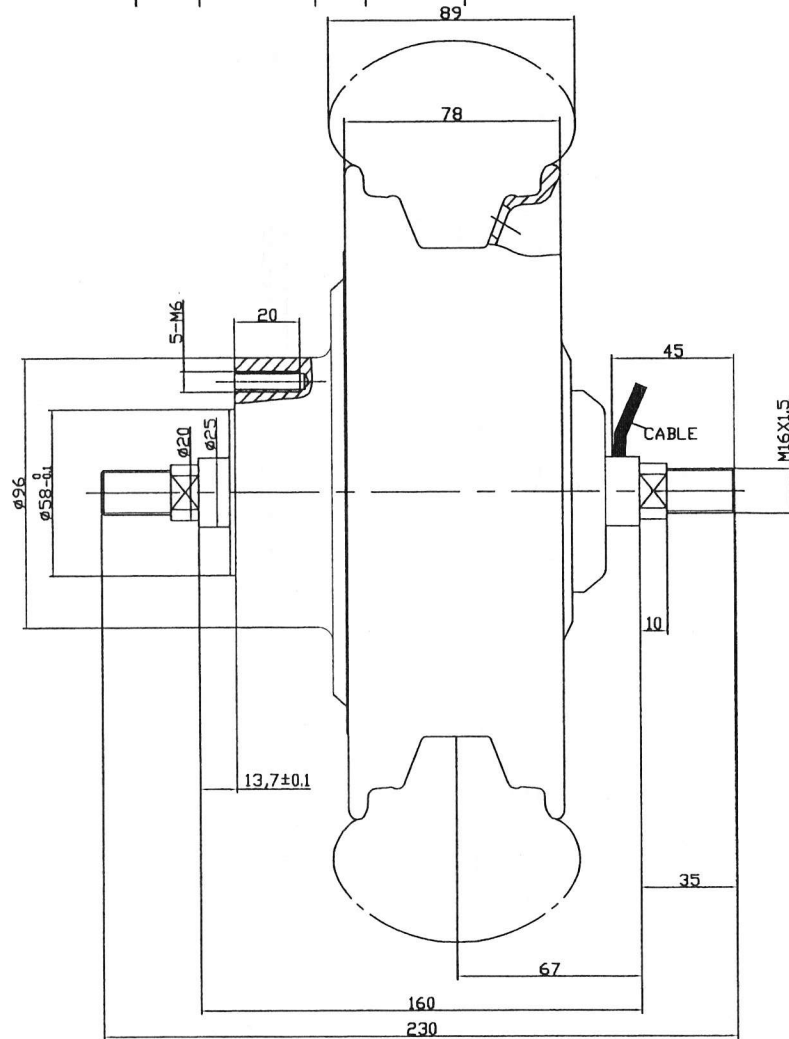
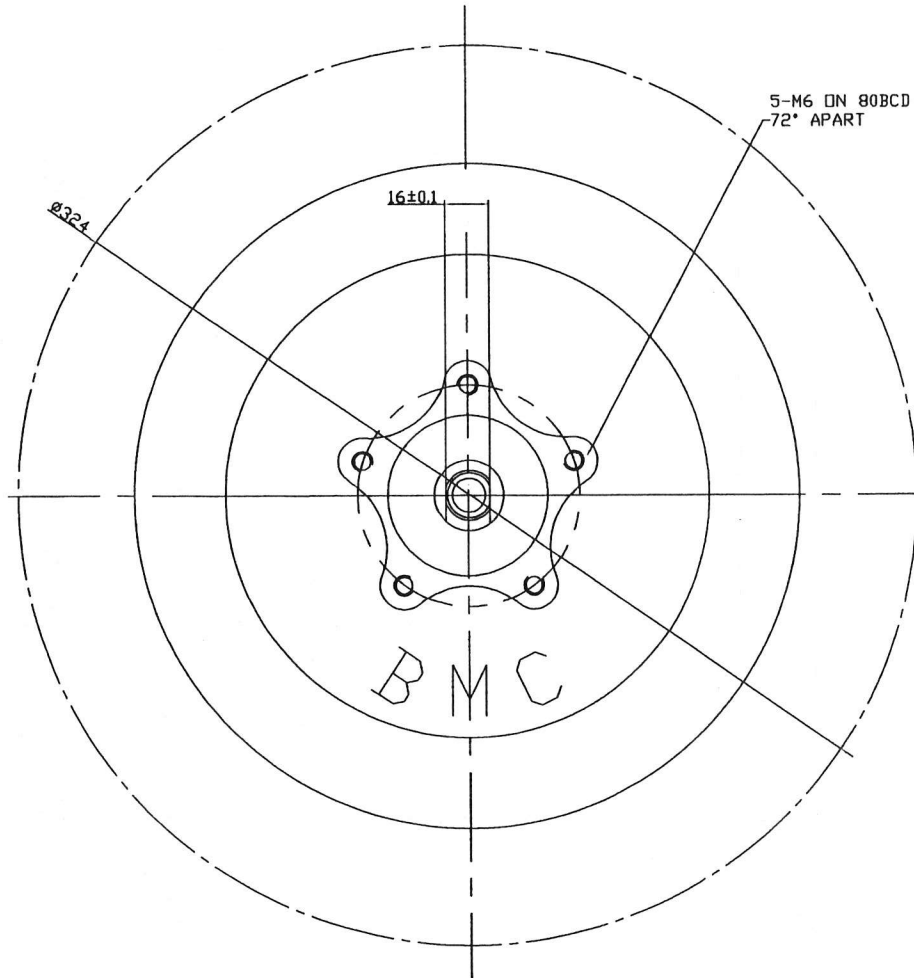
REVERCING POLARITY OF POWER CABLE CAN BE FATAL AND MAY RESULT IN BURNING OF CONTROLLER

TOLERANCES UNLESS NOTED .0 ±.25 .00 ±.13 ANGLE ± 2' (X) REF. DIM.	∠ ANGULARITY ○ CIRCULAR RUNOUT ⊙ CONCENTRICITY ⊥ PERPENDICULARITY (X) REFERENCE DIM. ∅ DIAMETER	DRAWN BY : SHWETA	BMC BRUSHLESS MOTOR CO. 20447 NORDHOFF ST. CHATSWORTH, CA 91311 USA.
		CHECKED BY: S.G.N	
MATERIAL		DATE: 28/08/2008	HUB MOTOR WITH CONTROLLER 14189
		REV.	Ⓢ

NOTE: THIS IS CONFIDENTIAL PROPERTY OF BMC. IT IS NOT TO BE COPIED OR DUPLICATED IN ANY MANNER AND SHALL NOT BE SUBMITTED TO OUTSIDE PARTIES WITHOUT OUR WRITTEN CONSENT.

14160

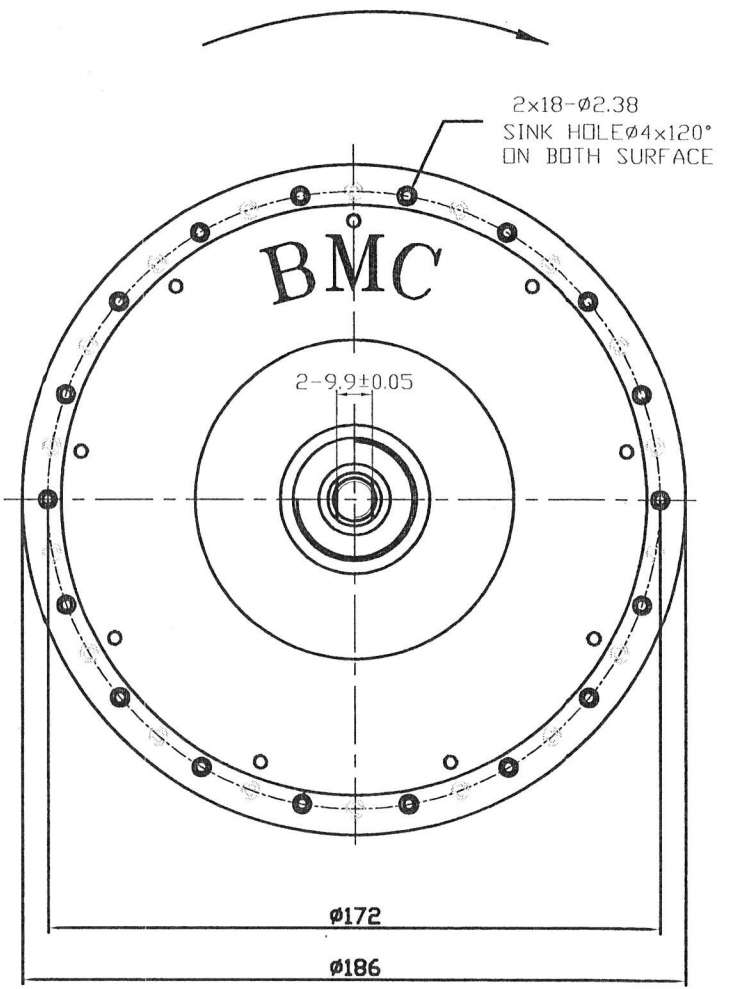
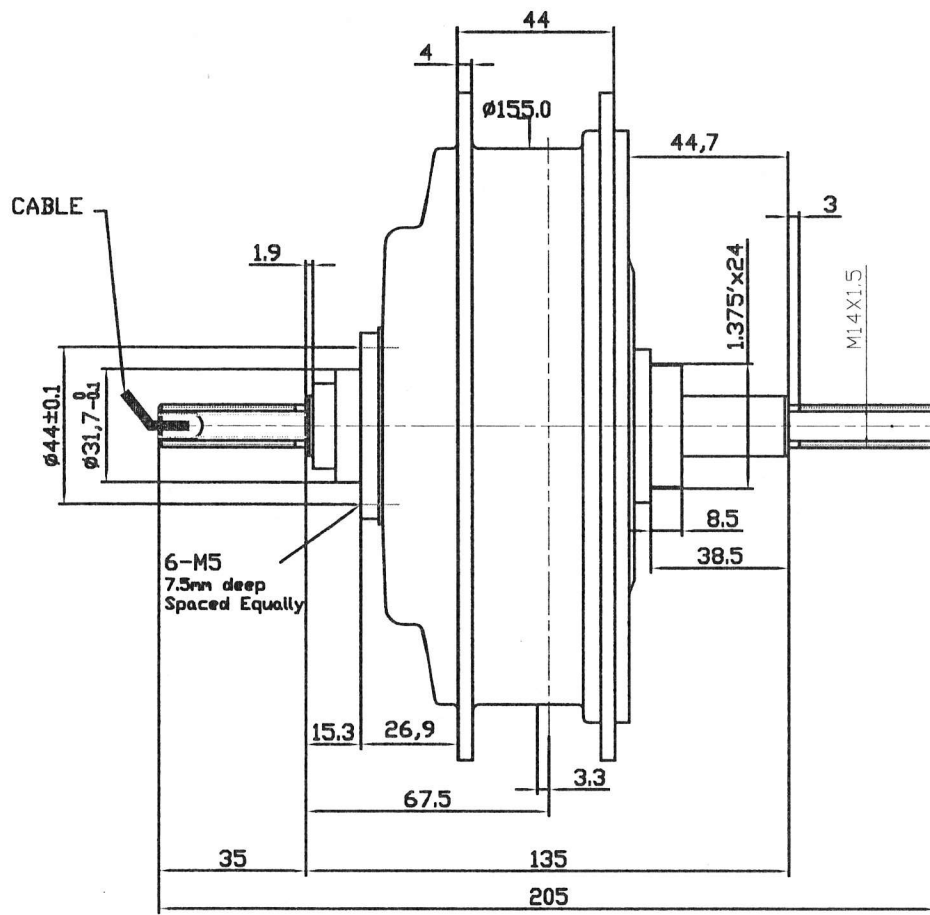
REV.	DATE	BY	ECN	REMARKS	CK



NOTE:

1. ALL DIMENSIONS ARE IN MM.

TOLERANCES UNLESS NOTED .0 ±.25 .00 ±.13 ANGLE ± 2' (X) REF. DIM.	∠ ANGULARITY 〰 CIRCULAR RUNOUT ○ CONCENTRICITY ⊥ PERPENDICULARITY (X) REFERENCE DIM. ∅ DIAMETER	DRAWN BY: SHWETA	BMC BRUSHLESS MOTOR CORP. 20447 NORDHOFF ST. CHATSWORTH, CA 91311 USA.	
		CHECKED BY: NGW	MOTOR OUTLINE W/O BRAKE	
MATERIAL	DATE: 26 APRIL 2008	DWG. NO. 14160C	REV. A	



NOTE:
 1 SILVER PAINTING
 2 ROTATION: CW (FROM 1.375'X24 THREAD END)

TOLERANCES UNLESS NOTED .0 ±.25 .00 ±.05 .000 ±.005 ANGLE ±2' (X)REF.DIM.	/ ANGULARITY / CIRCULAR RUNOUT @ CONCENTRICITY ⊥ PERPENDICULARITY (X) REFERENCE DIM. ∅ DIAMETER	DRAWN BY/DATE: 2007.2 .8	B M C	
		CHECKED BY/DATE:	M14110 OUTLINE	
MATERIAL	APPROVED BY/DATE:	M14110C	REV. -	A